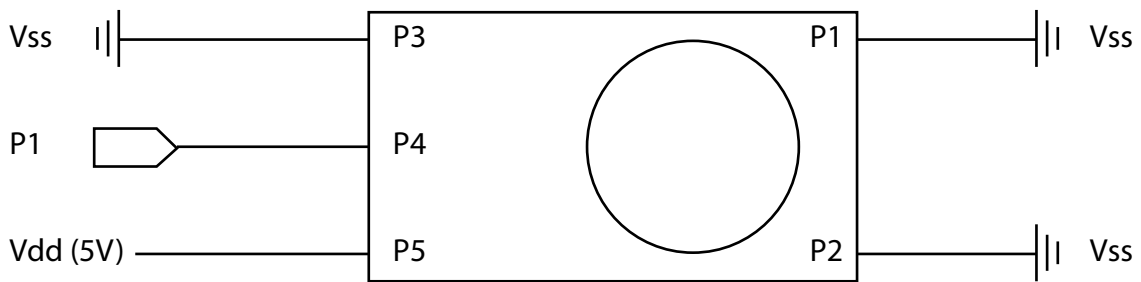
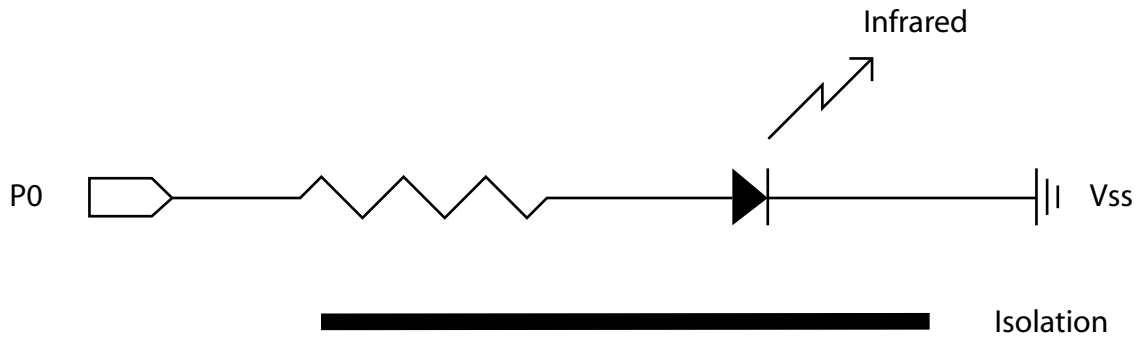


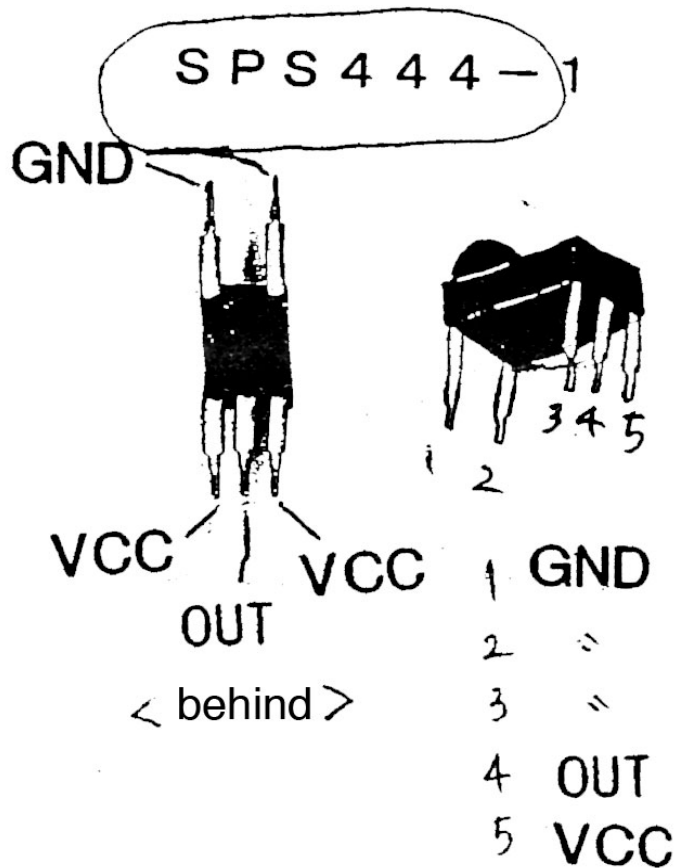
Object detection module

2005Nov23

Michihito Mizutani



Infrared Receiver Module (38KHz)
SPS444-1



```
' Copyright (c) 2005 Michihito Mizutani
'35.8KHz Infrared Recieve Module and Infrared LED
```

```
' ==== [ I/O Definitions ]=====
pIRLED    PIN    0
** pIRin  PIN    1
```

```
' ==== [ Variables ]=====
iIRtempo  VAR  BIT
```

```
' === [ Initialization ]=====
DEBUG CLS
```

```
' ==== [ Main Code ]=====
xMain:
    PAUSE 1000

    FREQOUT pIRLED, 1, 38500
    iIRtempo = IN1
    IF iIRtempo = 0 THEN DETECTED
    DEBUG "NOT DETECTED",CR
    GOTO xMain

    DETECTED:
    DEBUG "DETECTED",CR
    GOTO xMain
END
```